

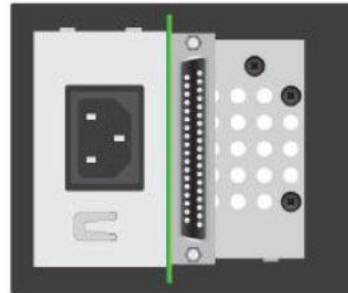
## Power & Rack Mount for 2U SET Modular Products

### Power Supply (WSP-808S)

Front Panel

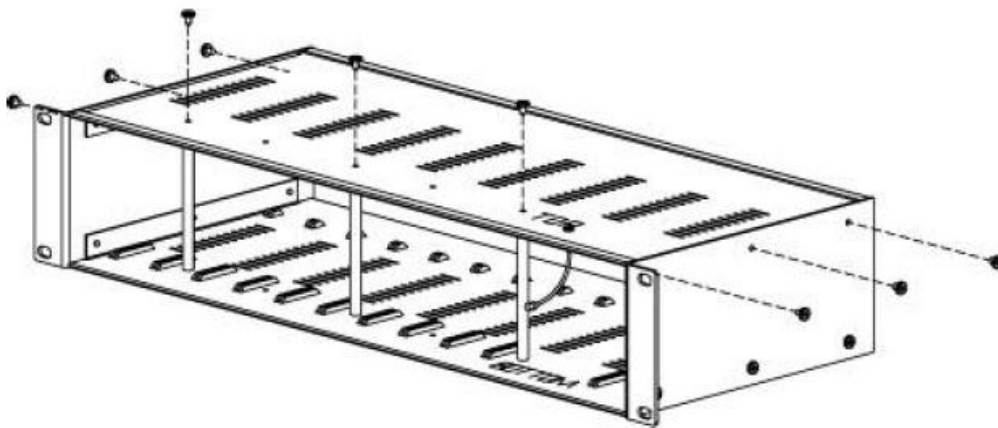


Rear Socket



- AC Input : 90-260V AC(50-60Hz)
- DC Output : 12V(4A) /5V(6.4A)
- Measurement : 278 (W) x 185(D) x 142(H) mm
- Packing : 1 Set / Inner Box, Gross weight: 0.9Kg
- Protection : Short Circuit & Overload
- Ripple : 100mVp-p(5V) / 120mVp-p(12V)

### 19" Rack Mount



- Length : 19" / Height : 3.5" / Width : 9"
- Positions / Panel : 10 slot chassis for modulator and one for power supply



## SPECIFICATIONS

### RF

Frequency Range PAL-B/G 48 to 860 MHz ; PAL-D/K 48 to 860 MHz

PAL-I 55 to 860 MHz ; NTSC 54 to 860 MHz

Output Level + 45 dBmV (minimum 15dB adjustment range)

Output Impedance 75 Ohms

A / V Ratio 15dB/20dB selectable ( +/- 2dB)

Frequency Stability  $\pm$  5KHZ

Intercarrier Frequency PAL-B/G 5.5MHz  $\pm$  5KHZ ; PAL-D/K 6.5MHz  $\pm$  5KHZ

PAL-I 6.0MHz  $\pm$  5KHZ ; NTSC 4.5MHz  $\pm$  5KHZ

Spurious Outputs -60 dBc typical measured at 15 dB A/V ratio and with  
Modulator output level of +45 dBmV

C/N 60 dB Typical

### VIDEO

Input Level for 87.5% Modulation 1 Vp-p. Adjustable with front panel VR control

Input Impedance 75Ohms

Frequency Response  $\pm$  1 dB (Within 5MHz)

S/N $\geq$ 60dB Typical

### AUDIO

Input Level for 25 KHz Peak Deviation 140 mV rms. Adjustable with front panel VR control

Input Impedance Greater than 10 K Ohms , unbalanced

Pre emphasis PAL-B/G 50  $\mu$ Sec ; PAL-D/K 50  $\mu$ Sec

PAL-I 50  $\mu$ Sec ; NTSC 75  $\mu$ Sec

Frequency Response  $\pm$  1 dB ( 40Hz to 15 KHz )

### GENERAL

AC Power Input 90~260VAC,50/60Hz

DC Power Output (2U)12V / 4A , 5 V / 6.4A ; (1U) 12V / 2.6A , 5 V / 3.5A

Operating Temperature 0 $^{\circ}$  to + 50  $^{\circ}$

Size 1"W \* 3.5"h \* 7.5" d (2.5cm)W \* (8.9cm) H \* (19.1 cm )\*D